



2W005 THRU 2W10

GLASS PASSIVATED SINGLE-PHASE BRIDGE RECTIFIER

VOLTAGE 50 to 1000 Volts **CURRENT** 2.0 Amperes

FEATURES

- Plastic material used carries Underwriters Laboratory recognition 94V-O
- Low leakage
- Surge overload rating-- 30 amperes peak
- Ideal for printed circuit board
- Exceeds environmental standards of MIL-S-19500/228
- Lead free in comply with EU RoHS 2011/65/EU directives
- Green molding compound as per IEC61249 Std. . (Halogen Free)

MECHANICAL DATA

Case: Reliable low cost construction utilizing molded plastic technique results in inexpensive product

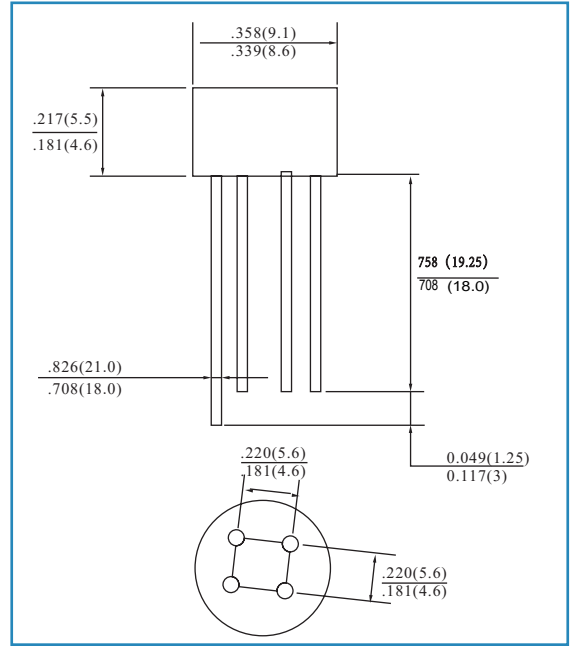
Terminals: Lead solderable per MIL-STD-750, Method 2026

Polarity: Polarity symbols molded or marking on body

Mounting Position: Any

Weight: 0.02 ounce, 0.4 gram

WOB Unit : inch (mm)



MAXIMUM RATINGS AND ELECTRICAL CHARACTERISTICS

Maximum Ratings & Electrical Characteristics Ratings at 25°C ambient temperature unless otherwise specified

| | SYMBOLS | 2W005 | 2W01 | 2W02 | 2W04 | 2W06 | 2W08 | 2W10 | UNITS |
|---|---------|--------------|------|------|------|------|------|------|-------|
| 最大可重复峰值反向电压 Maximum repetitive peak reverse voltage | VRRM | 50 | 100 | 200 | 400 | 600 | 800 | 1000 | Volts |
| 最大均方根电压 Maximum RMS voltage | VRMS | 35 | 70 | 140 | 280 | 420 | 560 | 700 | Volts |
| 最大直流阻断电压 Maximum DC blocking voltage | VDC | 50 | 100 | 200 | 400 | 600 | 800 | 1000 | Volts |
| 最大正向平均整流电流 Maximum average forward output rectified | I(AV) | 2.0 | | | | | | | Amps |
| 正向峰值浪涌电流 8.3ms 单一正弦半波 Peak forward surge current 8.3ms single half sine-wave | IFSM | 60 | | | | | | | Amps |
| 最大正向电压降 Maximum forward voltage | VF | 1.05 | | | | | | | Volts |
| 最大反向漏电流 Maximum reverse voltage | IR | 5.0 500 | | | | | | | μ A |
| 典型结电容 Type junction capacitance VR=4.0V f=1.0MHz | CJ | 14 | | | | | | | pF |
| 工作温度和存储温度 Operating junction and storage temperature range | TJ.TSTG | -55 to + 150 | | | | | | | °C |



2W005 THRU 2W10

RATING AND CHARACTERISTIC CURVES

Fig. 1 Derating Curve for Output Rectified Current

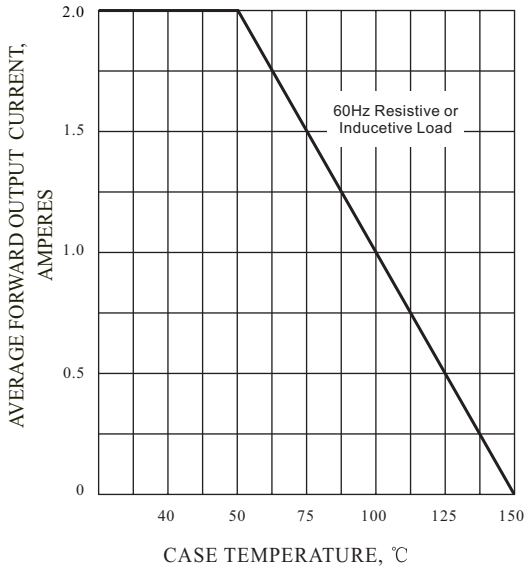


Fig. 2 Maximum Non-repetitive Peak Forward Surge Current

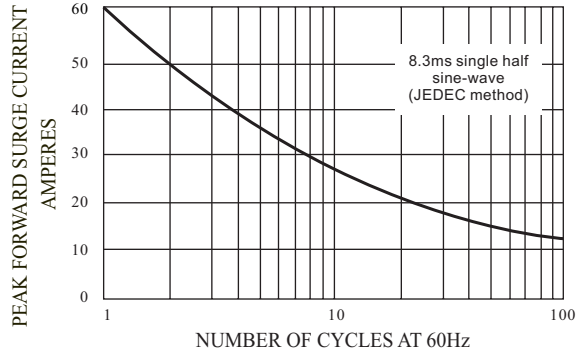


Fig. 4 Typical Reverse Characteristics

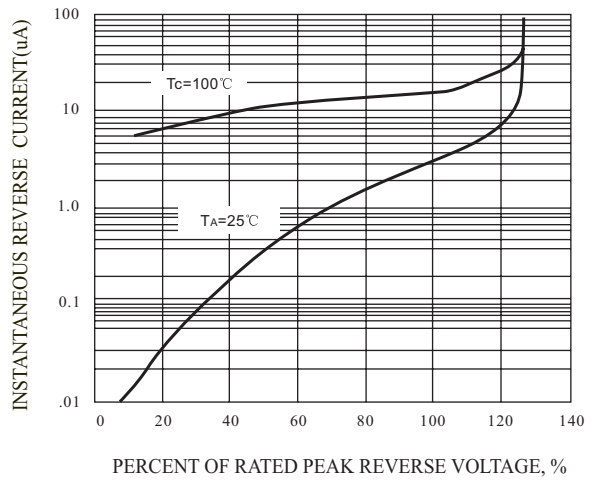


Fig. 3 Typical Instantaneous Forward Characteristics

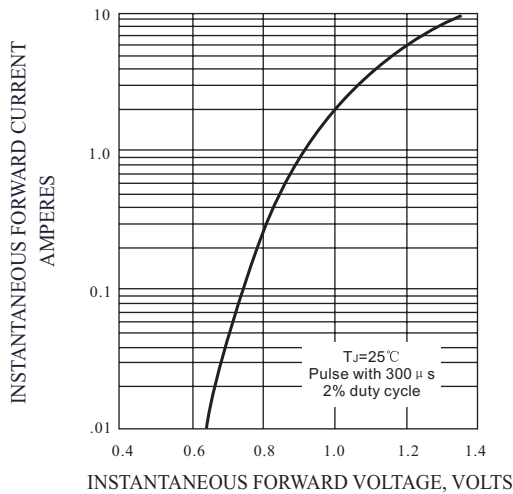


Fig. 5 Typical Junction Capacitance

